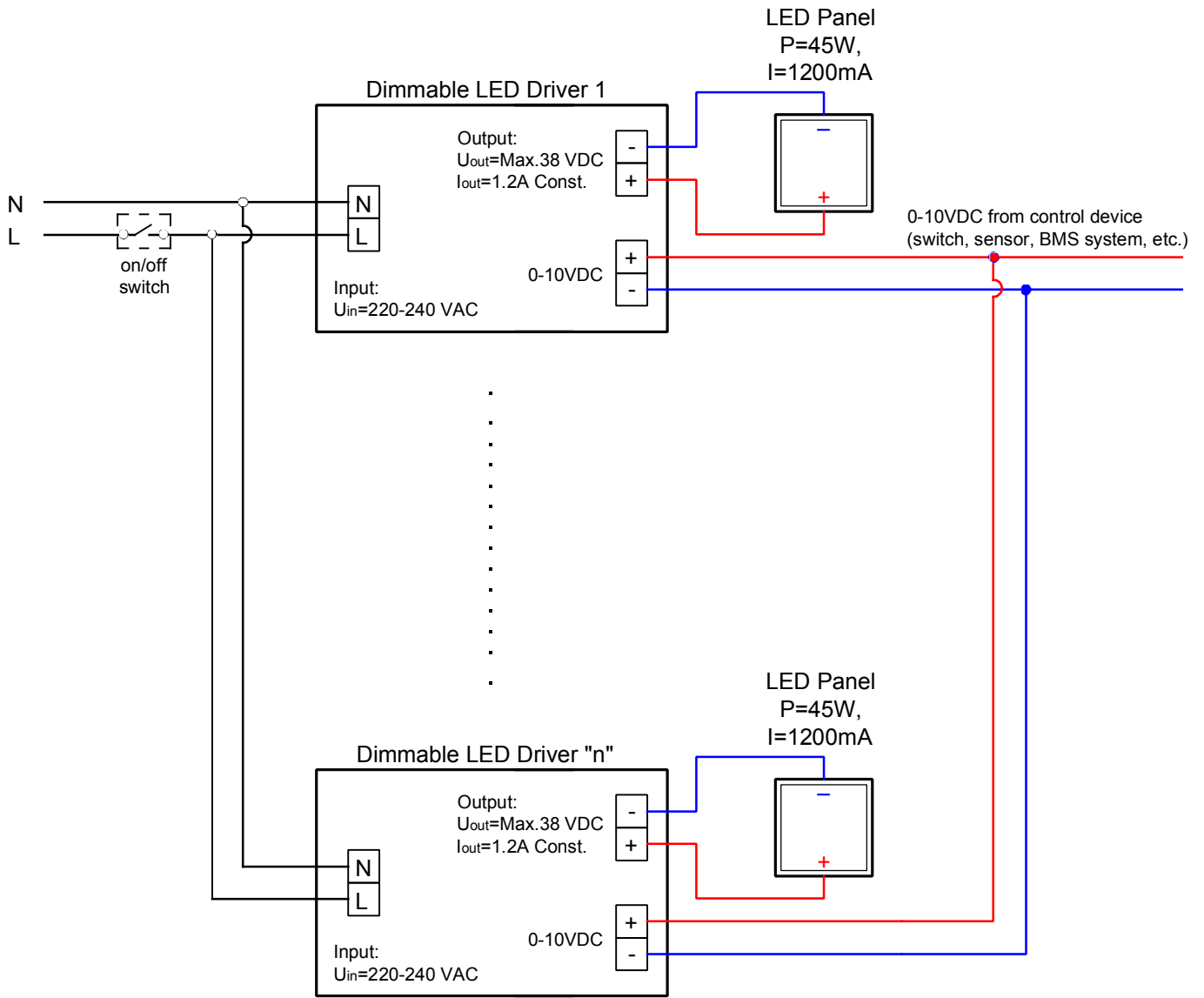


Connection of dimmable LED Driver 45W
Model №: DDLP22045F with 0-10VDC control device



Connection of UltraLux dimmable LED driver
DDLP22045F. (EXAMPLE)